

# PARK PLAZA LONDON WATERLOO

A SANCTUARY FOR YOUR  
LONDON ADVENTURE

[parkplaza.com/waterloo](https://parkplaza.com/waterloo)

  
**Park Plaza**  
LONDON WATERLOO



Lounge

# PARK PLAZA LONDON WATERLOO

LOCATED CLOSE TO LONDON WATERLOO STATION, THE HOTEL IS WITHIN WALKING DISTANCE OF LEADING ATTRACTIONS SUCH AS THE LONDON EYE AND THE AQUARIUM, WITH LONDON'S MOST CELEBRATED THEATRES, RESTAURANTS AND BARS ALSO WITHIN EASY REACH.

The South Bank is one of London's most creative areas, with nearly two miles of arts and entertainment venues and events, and Park Plaza London Waterloo is part of it. From the striking Royal Festival Hall and National Theatre to Tate Modern and Borough Market, guests have inspiring culture at their fingertips and are only minutes from the West End by tube. Nearby London Waterloo Station also offers easy connections to the City and to the South of England.

The all-new Park Plaza London Waterloo is the epitome of four-star comfort in the South Bank. With modern facilities and superior service the hotel welcomes families, couples, leisure and business travellers alike.



6 Hercules Road, London SE1 7DP

T: +44 (0) 333 400 6128 F: +44 (0) 333 400 6129

ppwainfo@pphe.com

[parkplaza.com/waterloo](http://parkplaza.com/waterloo)

- |   |  |                               |
|---|--|-------------------------------|
| <b>1</b> PARK PLAZA LONDON WATERLOO         | <b>6</b> TATE BRITAIN GALLERY            | <b>11</b> TATE MODERN GALLERY |
| <b>2</b> THE LONDON EYE                     | <b>7</b> BUCKINGHAM PALACE               | <b>12</b> NATIONAL THEATRE    |
| <b>3</b> SEA LIFE LONDON AQUARIUM           | <b>8</b> REGENT STREET                   | <b>13</b> SOUTHBANK CENTRE    |
| <b>4</b> THE HOUSES OF PARLIAMENT & BIG BEN | <b>9</b> NATIONAL GALLERY                | <b>14</b> LAMBETH PALACE      |
| <b>5</b> WESTMINSTER ABBEY                  | <b>10</b> THEATRE LAND AND COVENT GARDEN | <b>15</b> IMPERIAL WAR MUSEUM |

## GUEST ROOMS AND FACILITIES

The hotel features 494 stylish design-led guest rooms.

Guests can choose from Superior Rooms, Studio Rooms and Suites, all catering to the modern traveller. Families will love this hotel for its spacious Studio Rooms and Suites, and the choice of interconnecting rooms.

All guest rooms feature ultra comfortable Park Plaza beds, 48-inch smart LED TVs, Elemis bathroom amenities and complimentary high-speed Wi-Fi.

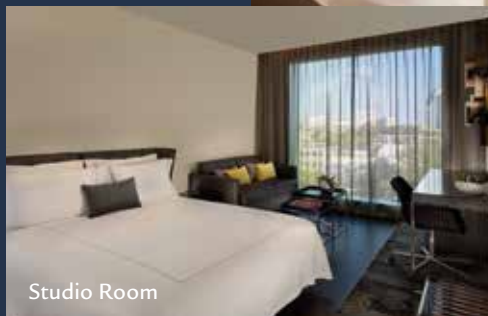
Superior Rooms and Studio Rooms have walk-in showers, whilst the Suites feature a shower and a separate bath.

Some rooms benefit from a private terrace with spectacular views of London.

The Executive Lounge on the 12th floor offers a dedicated area to unwind with breathtaking city views.

The Mandara Spa with its indoor heated pool and relaxing treatment rooms offers a sanctuary of calm away from the hustle and bustle of the city.

The Fitness Centre features Technogym cardio and resistance machines.



### OVERVIEW

494	GUEST ROOMS (TOTAL)		RESTAURANT
4	SUITES		BAR
301	STUDIO ROOMS		CAFFÈ
189	SUPERIOR ROOMS		MANDARA SPA AND POOL



Florentine Restaurant & Bar



## RESTAURANTS AND BARS

With direct access from Hercules Road, Florentine Restaurant & Bar offers an all-day dining experience in an informal, family-friendly environment.

Guests can choose from a wide range of speciality dishes including Tomahawk sharing steak and flatbreads.

A wide selection of craft beers and signature cocktails are on offer at the bar.

For the finest quality coffee guests can head to illy Caffè.

In room dining is also available 24 hours a day.



Florentine Restaurant & Bar

## MEETINGS AND EVENTS

The hotel's six meeting rooms collectively offer a space of up to 405m<sup>2</sup> and cater for up to 310 delegates theatre style.

Each meeting room ranges from 43m<sup>2</sup> to 91m<sup>2</sup> and all feature movable partitions to create larger spaces with flexible set-ups.

All meeting areas benefit from natural daylight, complimentary high speed Wi-Fi, individual air-conditioning, and cutting edge audiovisual system.

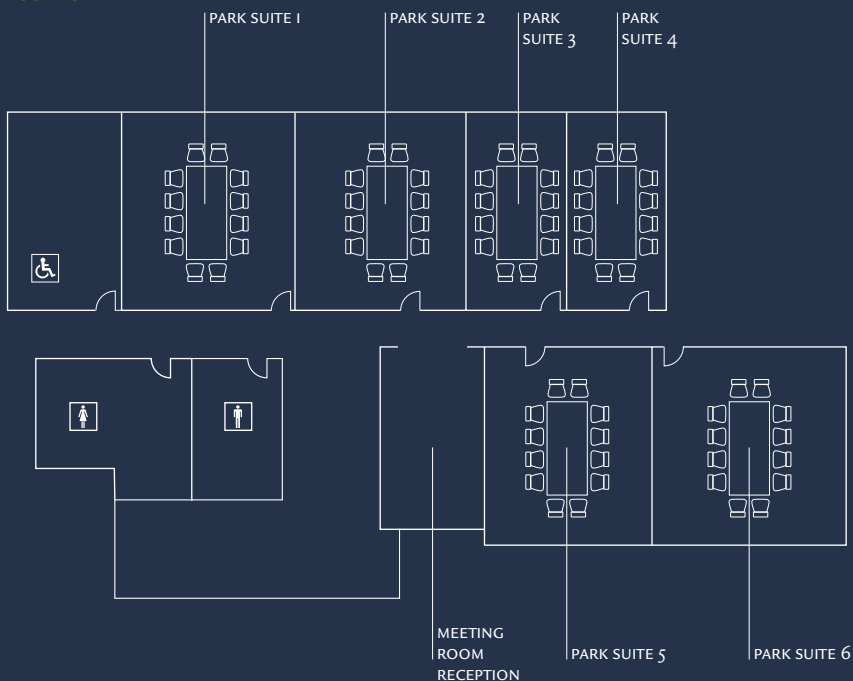
There is a pre-function area for welcome and registration as well as meeting breakouts.



Park Suite

ROOM NAME	DIMENSION W X L X H (M)	SIZE (M <sup>2</sup> )	THEATRE	BOARD ROOM	U-SHAPE	CLASS ROOM	CABARET DINNER	DINNER DANCE	RECEP- TION
<b>GROUND FLOOR</b>									
PARK SUITE 1	5.0 x 7.0 x 2.8	35	40	16	16	20	24	30	-
PARK SUITE 2	5.0 x 7.0 x 2.8	35	40	16	16	20	24	30	-
PARK SUITE 3	5.0 x 3.5 x 2.8	17.5	20	14	-	6	12	-	-
PARK SUITE 4	5.0 x 3.5 x 2.8	17.5	20	14	-	6	12	-	-
PARK SUITE 5	5.2 x 7.0 x 2.8	36.4	40	16	16	20	24	30	-
PARK SUITE 6	10.1 x 6.7 x 2.8	67.7	40	16	16	20	24	30	-
PARK SUITE 1-2	5.0 x 14.0 x 2.8	70	90	32	32	40	48	60	-
PARK SUITE 1-3	5.0 x 17.5 x 2.8	87.5	120	45	51	46	72	80	70
PARK SUITE 1-4	5.0 x 21.0 x 2.8	105	150	54	60	52	96	130	100
PARK SUITE 2-3	5.0 x 10.5 x 2.8	52.5	70	28	26	26	40	40	-
PARK SUITE 2-4	5.0 x 14.0 x 2.8	70	90	40	32	32	48	60	-
PARK SUITE 3-4	5.0 x 7.0 x 2.8	35	40	16	16	12	24	30	-
PARK SUITE 5-6	5.2 x 14.0 x 2.8	72.8	90	36	36	40	48	60	-
PARK SUITE 5-6 + FOYER	5.2 x 18.0 x 2.8	93.6	-	-	-	-	-	-	-

### PARK SUITES



Connect with us online

[parkplaza.com/stayintouch](https://www.parkplaza.com/stayintouch)



#parkplazamoments

 Female WC

 Male WC

 Accessible WC